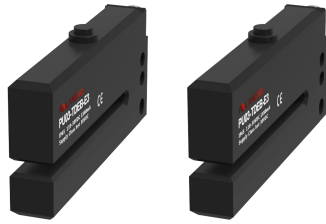


Label sensor PU03series



Features:

- ◆ Small spot size, fast response, can detect a variety of labels with high-speed;
- ◆ Provide standard teaching function, tissue paper teaching function and custom teaching function;
- ◆ Key lock mode can be used to lock the teaching keys to prevent misoperation during operation;
- ◆ Push-pull output is NPN and PNP compatible.

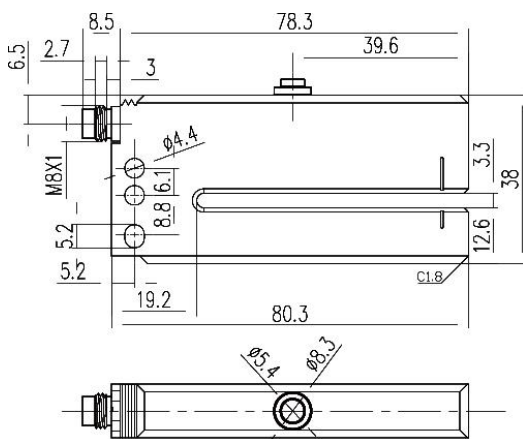
Part number

PU03-TDEB-E3 PU03-TDEB-E31001

Technical specifications

| | | | |
|---------------------|-----------------------------------|-----------------------------|-------------------------|
| Slot width | 3mm | Programming indicator | Yellow/Green LED |
| Minimum space | 2mm | Error indication | Red/Green LED twinkling |
| Supply voltage | 10...30 VDC | Data saved | EEPROM |
| Light source | High strength IR | Short-circuit protection | YES |
| Load current | 100mA max | Overload protection | YES |
| Output | Push-pull output NO / NC optional | Reverse polarity protection | YES |
| Consumption current | 40mA | Ambient temperature | -20°C...55°C |
| Response time | <40μS | Storage temperature | -20°C...70°C |
| Switching frequency | 12.5kHz | Degree of protection | IP65 |
| Standardize | Teaching button | Connection type | M8 connector |
| Output indicator | Green LED | Housing material | Plastic |
| Teaching indicator | Red LED (twinkling) | Size | 38mm×80mm×12mm |
| Lock indicator | Red LED | Weight | About 95g |

Dimensions



Wiring diagram

